

**WARNING:****Please read before installing the handlebar stem!**

Cycling can be dangerous if you push yourself too far. Check the trails carefully before you shred them, and don't just follow idiots. Please read our instructions carefully before assembly. **FAILURE TO OBSERVE** these instructions before installing and using Ambit components can result in long boring breaks from cycling as well as serious injury or death.

**Ambit WARRANTY**

All Ambit Parts are guaranteed against material defects and manufacturer's assembly errors for two years from the date of purchase. You need an original invoice for any warranty claim to be processed by a specialist dealer or Ambit Components. The warranty does not apply to damage caused by use of the pedals for abnormal activities, for purposes other than those for which the pedals were designed, or failure to follow these instructions for use. This does not affect your statutory rights.

**PACKAGE CONTENTS**

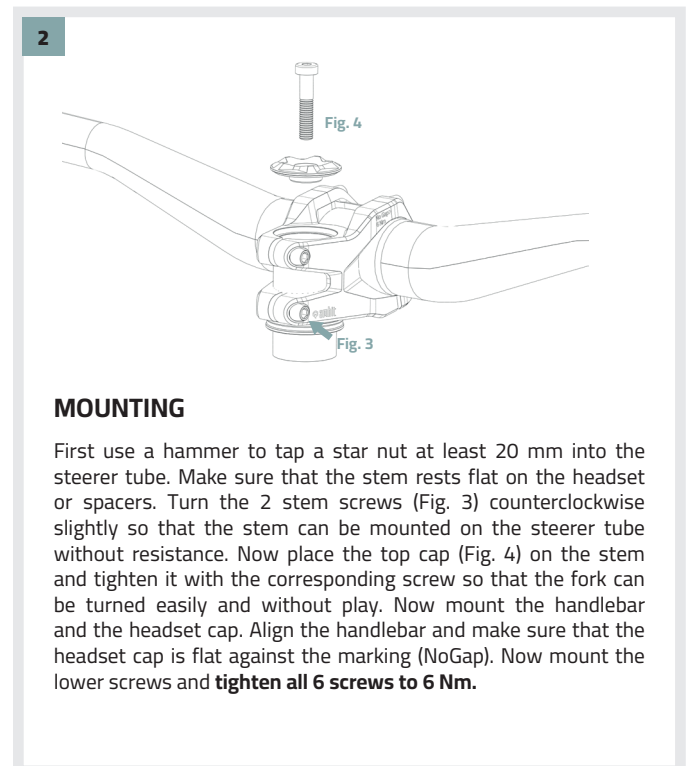
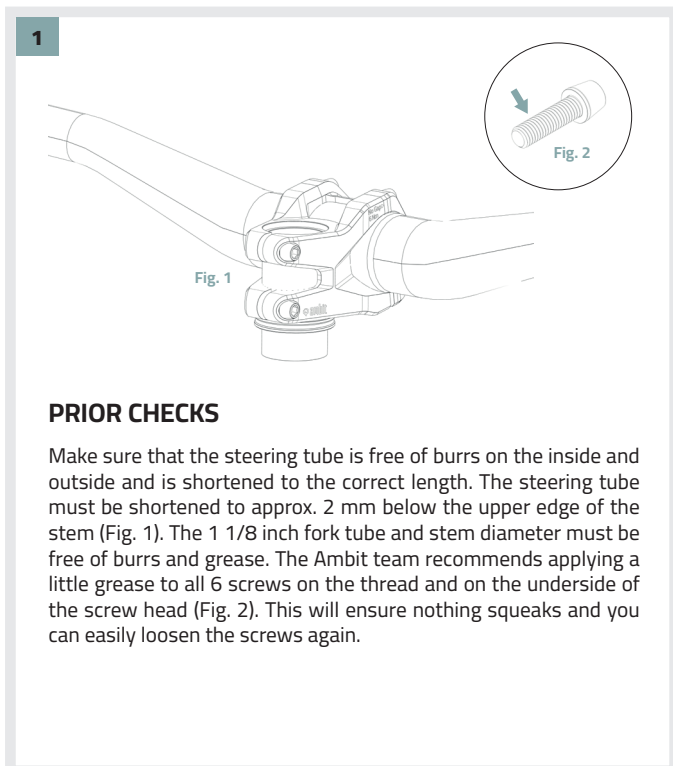
Stem + stem cover

6x screws (M5x20mm)

**REQUIRED TOOLS**

You will need a 4 mm Allen key and a torque wrench to attach the stem.

**NB:** Do not use a ball-end hex key. It only makes things worse.

**MAINTENANCE + TIPS**

Check the stem carefully for signs of damage before each ride. Check that all screws are tightened to 6 Nm with a torque wrench and that they still fit firmly. The stem must not have any noticeable bearing play. If the stem shows any signs of damage, please visit a specialist dealer or send the stem to the Ambit Components sales department.

- 1 **P7030000 01** Allen key M5x18mm
- 2 **P7030000 14** Enduro Stem Body 35mm  
**P7030000 42** Enduro Stem Body 45mm
- 3 **P7030000 15** Enduro Stem Front Cap

